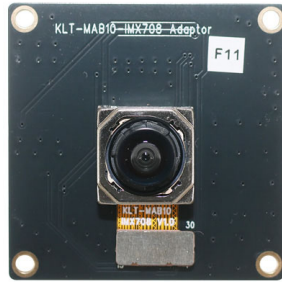
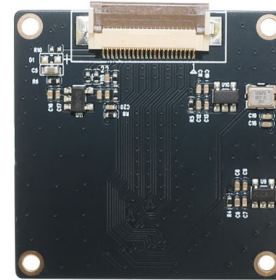


YDS-MAB10-IMX708 V1.0

11.9MP Sony IMX708 MIPI Interface Auto Focus Camera Module



Front View



Back View

Specifications

Camera Module No.	YDS-MAB10-IMX708 V1.0
Resolution	11.9MP
Image Sensor	IMX708
Sensor Type	1/2.43"
Pixel Size	1.4 um x 1.4 um
EFL	2.17 mm
F.NO	2.20
Pixel	4640 x 2648
View Angle	122.0°(DFOV) 107.0°(HFOV) 90.0°(VFOV)
Lens Dimensions	10.80 x 10.80 x 7.40 mm
Module Size	32.00 x 32.00 mm
Module Type	Auto Focus
Interface	MIPI
Auto Focus VCM Driver IC	DW9800W
Lens Type	650nm IR Cut
Operating Temperature	-20°C to +85°C
Mating Connector	Raspberry Pi Cable



YDS-MAB10-IMX708 V1.0

11.9MP Sony IMX708 MIPI Interface Auto Focus Camera Module



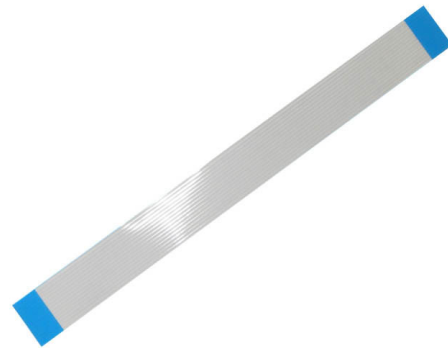
Top View



Side View



Bottom View

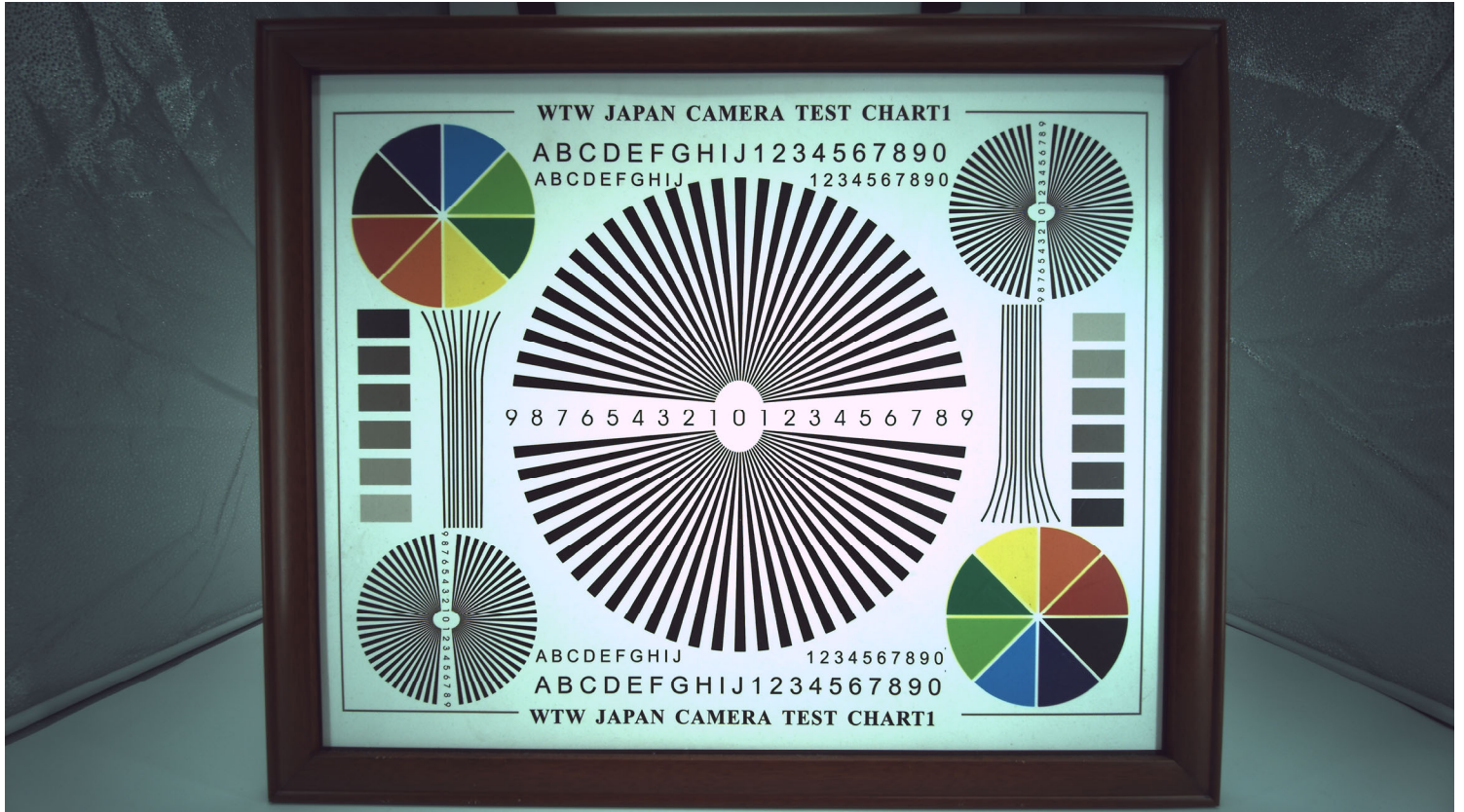


Mating Connector



YDS CAMERA MODULE

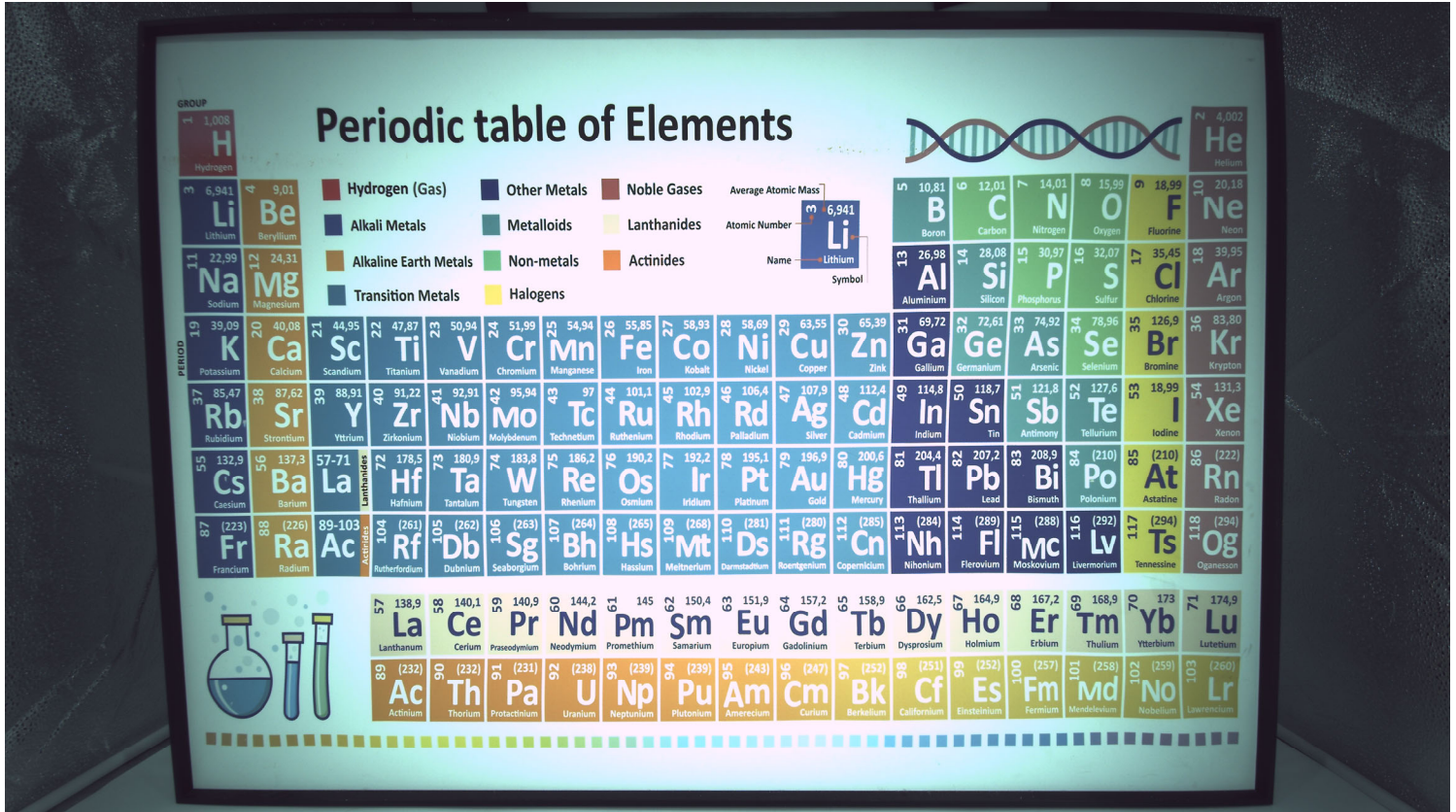
your best camera partner



www.YDSCAM.com sales@ydscam.com Phone (WeChat, QQ): (+86) 177 2732 6718

All rights reserved @ YingDeShun Co. Ltd. Specifications subject to change without notice.

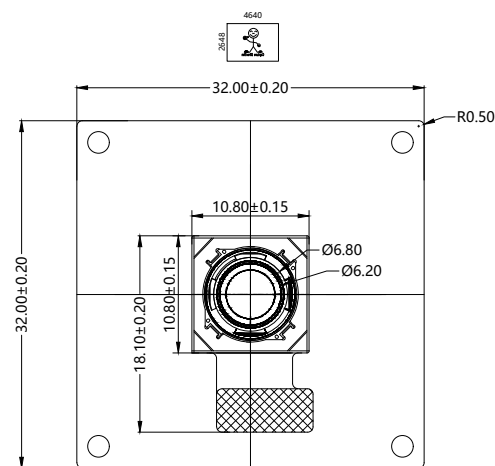




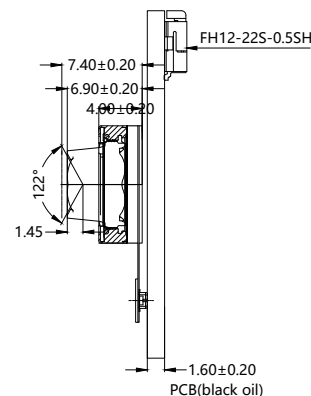
**Connector
FH12-22S-0.5SH**

NO	SIGNAL
1	GND
2	D0N
3	D0P
4	GND
5	D1N
6	D1P
7	GND
8	MCN
9	MCP
10	GND
11	D2N
12	D2P
13	GND
14	D3N
15	D3P
16	GND
17	PWDN
18	XCCLK/NC
19	GND
20	SCL
21	SDA
22	VCC 3.3V

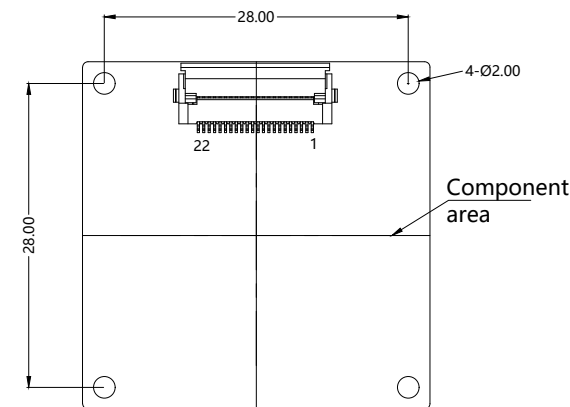
Version	Information
V1.0	First Version



TOP VIEW



SIDE VIEW



BOTTOM VIEW

NOTE:

- The device slave address:0x20;
- Driver IC: DW9800W; I2C:0X18(W);0X19(R)

Parameters:

1、 Sensor specification:

Image Sensor: IMX708

Pixel: 1.4um*1.4um

Lens Type: 1/2.43

Important Voltage Description:

VCC 3.3V

2、 Lens specification:

FOV: 122°(D);107°(H);90°(V);

F/NO.: 2.2

TV distortion: <5.6%

Focal length: 2.17mm

Composition: 6P+IR FILTER

IR Cut Coating: 650nm±10nm@50%

www.YDSCAM.com

Designed By	Kevin	Model Name:	YDS-MAB10-IMX708 V1.0		
Checked By	Jacky	Projection Type:	Unit: mm	Date: 11/4/2025	
		Third Angle	Scale: 1:1	Sheet: 1 of 1	Version: 1/0

Diagonal 7.402 mm (Type 1/2.43) 11.9Mega-Pixel CMOS Image Sensor with Square Pixel for Color Cameras

IMX708-AAJH5-C

General description and application

IMX708 is a diagonal 7.402 mm (Type 1/2.43) 11.9 Mega-pixel CMOS active pixel type stacked image sensor with a square pixel array. It adopts Sony's back-illuminated and stacked CMOS image sensor to achieve high speed image capturing by column parallel A/D converter circuits and high sensitivity and low noise image (comparing with conventional CMOS image sensor) through the backside illuminated imaging pixel structure. R, G, and B pigment primary color mosaic filter is employed. It operates with five power supply voltages: analog 2.8 V and 1.8V, digital 1.1V and 1.8 V for input/output interface and achieves low power consumption.

In addition, this product is designed for use in cellular phone and tablet PC. When using this for another application, Sony Semiconductor Solutions Corporation does not guarantee the quality and reliability of product. Therefore, don't use this for applications other than cellular phone and tablet PC. Consult your Sony Semiconductor Solutions Corporation sales representative if you have any questions.

Functions and Features

- ◆ Back-illuminated and stacked CMOS image sensor
- ◆ Quad Bayer Coding(QBC) color filter arrangement
- ◆ Phase Detection Auto Focus (PDAF)
- ◆ High Frame Rate 60fps@Full resolution(16:9) / 60fps@1080p(QBC-HDR,16:9) / 240fps@1080p(2x2 Adjacent Pixel Binning)
- ◆ High signal to noise ratio(SNR)
- ◆ Dual sensor synchronization operation
- ◆ Built-in 2D Dynamic Defect Pixel Correction(DPC)
- ◆ Lens Shading Correction (LSC)
- ◆ Built-in temperature sensor
- ◆ Output video format of RAW10, RAW8, RAW14
- ◆ QBC Re-mosaic function
- ◆ QBC HDR function
- ◆ Two PLLs for independent clock generation for pixel control and data output interface
- ◆ CSI-2 serial data output
 - MIPI D-PHY 2lane/4lane, Max. 2.5Gbps/lane, D-PHY spec. ver. 1.2 compliant
- ◆ 2-wire serial communication (Supports I²C "Fast mode" and "Fast-mode Plus")
- ◆ 8K bit of OTP ROM for users

Sony Semiconductor Solutions Corporation reserves the right to change products and specifications without prior notice.

This information does not convey any license by any implication or otherwise under any patents or other right.

Application circuits shown, if any, are typical examples illustrating the operation of the devices. Sony Semiconductor Solutions Corporation cannot assume responsibility for any problems arising out of the use of these circuits.

Device Structure

◆ CMOS image sensor	
◆ Image size	: Diagonal 7.402 mm (Type 1/2.43)
◆ Number of effective pixels	: 4640 (H) × 2648 (V) approx. 12.29 M pixels
◆ Number of active pixels	: 4608 (H) × 2592 (V) approx. 11.94 M pixels
◆ Chip size	: 7.288 mm (H) × 4.930 mm (V)
◆ Unit cell size	: 1.40 μm (H) × 1.40 μm (V)
◆ Substrate material	: Silicon

Absolute Maximum Ratings

Item	Symbol	Ratings	Unit	notes
Supply voltage (analog1)	VANA1	-0.3 to +3.3	V	refer to VSS level
Supply voltage (analog2)	VANA2	-0.3 to +2.52	V	
Supply voltage (digital)	VDIG	-0.3 to +1.54	V	
Supply voltage (interface)	VIF	-0.3 to +3.3	V	
Input voltage (digital)	VI	-0.3 to +3.3	V	
Output voltage (digital)	VO	-0.3 to +3.3	V	
Guaranteed Operating temperature	TOPR	-20 to +85	°C	Tj
Guaranteed storage temperature	TSTG	-30 to +85	°C	Tj
Guaranteed performance temperature	TSPEC	0 to +60	°C	Tj

Recommended Operating Voltage

Item	Symbol	Ratings	Unit	notes
Supply voltage (analog1)	VANA1	2.8 ± 0.1	V	refer to VSS level
Supply voltage (analog2)	VANA2	1.8 ± 0.1	V	
Supply voltage (digital)	VDIG	1.1 ± 0.1	V	
Supply voltage (interface)	VIF	1.8 ± 0.1	V	



DW9800W

- H-Bridge Driver IC

Ver. 0.1
2015-04-03

1. General Description

The DW9800W is designed for linear control of bi-direction voice coil motors(Bi-VCM). The DW9800W is a single 10-bit DAC with $\pm 100\text{mA}$ output current sinking capability. The DW9800W has Smart Actuator Control (SAC™) mode. SAC™ mode can be applied to minimize the mechanical vibration. The SAC™ mode has improved the actuator's settling time and wide tolerance coverage compared with conventional Linear Slope Control (LSC) mode. The SAC™ is registered trademark of DONGWOON ANATECH. The SAC™ technologies belong to DONGWOON ANATECH's own knowhow and patents.

The DW9800W also features an internal reference and operates from a single 2.3 V to 4.8V supply. The DAC is controlled via a I2C serial interface that operates at clock rate up to 400kHz. The DW9800W has a Power On Reset (POR) circuit and power down (PD) mode. POR circuit gets to operate when VDD (supply voltage) turns on. The output current keeps 0mA until valid register value takes place. The DW9800W offers to the user the choice of PD mode that insures the minimal power (Max. 2uA) is consumed in shutdown mode. The DW9800W is protected by thermal shutdown (TSD) circuit for thermal attack.

The DW9800W is designed for auto focus, optical zoom for mobile camera, digital still camera, camcorders, web camera and action camera applications.

■ Features

- 10-bit resolution current sinking of $\pm 100\text{mA}$
- Smart Actuator Control (SAC™) mode
- Supply voltage range (V_{DD}): 2.3V to 3.3V
- Fast mode plus I2C interface compatible (1.8V interface available)
- Power On Reset (POR)
- Power Down (PD) mode
- Thermal Shutdown (TSD)
- Package dimension : 0.73mm X 1.13mm X 0.31mm (6-pin WLCSP)

should be 4.8V



■ Applications

- Mobile camera
- Digital still camera
- Camcorder
- Web camera
- Nano actuator

Cameras Applications



Automotive Driver Pilot



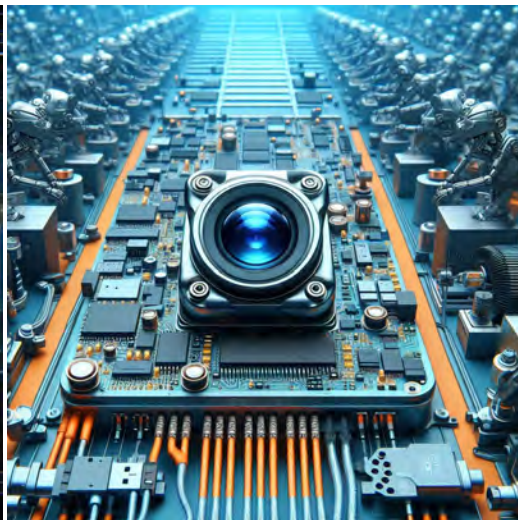
Live Streaming



Video Conference



Eye Tracker Biometric Detection



Machine Vision



Agricultural Monitor



Night Vision Security



Drone and Sports Eagle Eyes



Interactive Pet Camera



YDS CAMERA MODULE

your best camera partner

Camera Module Pinout Definition Reference Chart

OmniVision	Sony	Samsung	On-Semi	Aptina	Himax	GalaxyCore	PixArt	SmartSens	Sensors
Pin Signal		Description							
DGND	GND	ground for digital circuit							
AGND		ground for analog circuit							
PCLK	DCK	DVP PCLK output							
XCLR	PWDN	XSHUTDOWN	STANDBY	power down active high with internal pull-down resistor					
MCLK	XVCLK	XCLK	INCK	system input clock					
RESET	RST	reset active low with internal pull-up resistor							
NC	NULL	no connect							
SDA	SIO_D	SIOD	SCCB data						
SCL	SIO_C	SIOC	SCCB input clock						
VSYNC	XVS	FSYNC	DVP VSYNC output						
HREF	XHS	DVP HREF output							
DOVDD	power for I/O circuit								
AFVDD	power for VCM circuit								
AVDD	power for analog circuit								
DVDD	power for digital circuit								
STROBE	FSTROBE	strobe output							
FSIN	synchronize the VSYNC signal from the other sensor								
SID	SCCB last bit ID input								
ILPWM	mechanical shutter output indicator								
FREX	frame exposure / mechanical shutter								
GPIO	general purpose inputs								
SLASEL	I2C slave address select								
AFEN	CEN chip enable active high on VCM driver IC								
MIPI Interface									
MDN0	DN0	MD0N	DATA_N	DMO1N	MIPI 1st data lane negative output				
MDP0	DP0	MD0P	DATA_P	DMO1P	MIPI 1st data lane positive output				
MDN1	DN1	MD1N	DATA2_N	DMO2N	MIPI 2nd data lane negative output				
MDP1	DP1	MD1P	DATA2_P	DMO2P	MIPI 2nd data lane positive output				
MDN2	DN2	MD2N	DATA3_N	DMO3N	MIPI 3rd data lane negative output				
MDP2	DP2	MD2P	DATA3_P	DMO3P	MIPI 3rd data lane positive output				
MDN3	DN3	MD3N	DATA4_N	DMO4N	MIPI 4th data lane negative output				
MDP3	DP3	MD3P	DATA4_P	DMO4P	MIPI 4th data lane positive output				
MCN	CLKN	CLK_N	DCKN	MIPI clock negative output					
MCP	CLKP	CLK_P	DCKN	MIPI clock positive output					
DVP Parallel Interface									
D0	DO0	Y0	DVP data output port 0						
D1	DO1	Y1	DVP data output port 1						
D2	DO2	Y2	DVP data output port 2						
D3	DO3	Y3	DVP data output port 3						
D4	DO4	Y4	DVP data output port 4						
D5	DO5	Y5	DVP data output port 5						
D6	DO6	Y6	DVP data output port 6						
D7	DO7	Y7	DVP data output port 7						
D8	DO8	Y8	DVP data output port 8						
D9	DO9	Y9	DVP data output port 9						
D10	DO10	Y10	DVP data output port 10						
D11	DO11	Y11	DVP data output port 11						

www.YDSCAM.com sales@ydscam.com Phone (WeChat, QQ): (+86) 177 2732 6718

All rights reserved @ YingDeShun Co. Ltd. Specifications subject to change without notice.

Camera Reliability Test

Reliability Inspection Item		Testing Method	Acceptance Criteria	
Category	Item			
Environmental	Storage Temperature	High 60°C 96 Hours	Temperature Chamber	No Abnormal Situation
		Low -20°C 96 Hours	Temperature Chamber	No Abnormal Situation
	Operation Temperature	High 60°C 24 Hours	Temperature Chamber	No Abnormal Situation
		Low -20°C 24 Hours	Temperature Chamber	No Abnormal Situation
	Humidity	60°C 80% 24 Hours	Temperature Chamber	No Abnormal Situation
	Thermal Shock	High 60°C 0.5 Hours Low -20°C 0.5 Hours Cycling in 24 Hours	Temperature Chamber	No Abnormal Situation
Physical	Drop Test (Free Falling)	Without Package 60cm	10 Times on Wood Floor	Electrically Functional
		With Package 60cm	10 Times on Wood Floor	Electrically Functional
	Vibration Test	50Hz X-Axis 2mm 30min	Vibration Table	Electrically Functional
		50Hz Y-Axis 2mm 30min	Vibration Table	Electrically Functional
		50Hz Z-Axis 2mm 30min	Vibration Table	Electrically Functional
	Cable Tensile Strength Test	Loading Weight 4 kg 60 Seconds Cycling in 24 Hours	Tensile Testing Machine	Electrically Functional
Electrical	ESD Test	Contact Discharge 2 KV	ESD Testing Machine	Electrically Functional
		Air Discharge 4 KV	ESD Testing Machine	Electrically Functional
	Aging Test	On/Off 30 Seconds Cycling in 24 Hours	Power Switch	Electrically Functional
	USB Connector	On/Off 250 Times	Plug and Unplug	Electrically Functional



Camera Inspection Standard

Inspection Item		Inspection Method	Standard of Inspection		
Category	Item				
Appearance	FPC/ PCB	Color	The Naked Eye	Major Difference is Not Allowed.	
		Be Torn/Chopped	The Naked Eye	Copper Crack Exposure is Not Allowed.	
		Marking	The Naked Eye	Clear, Recognizable (Within 30cm Distance)	
	Holder	Scratches	The Naked Eye	The Inside Crack Exposure is Not Allowed	
		Gap	The Naked Eye	Meet the Height Standard	
		Screw	The Naked Eye	Make Sure Screws Are Presented (If Any)	
		Damage	The Naked Eye	The Inside Crack Exposure is Not Allowed	
	Lens	Scratch	The Naked Eye	No Effect On Resolution Standard	
		Contamination	The Naked Eye	No Effect On Resolution Standard	
		Oil Film	The Naked Eye	No Effect On Resolution Standard	
		Cover Tape	The Naked Eye	No Issue On Appearance.	
	Function	Image	No Communication	Test Board	Not Allowed
			Bright Pixel	Black Board	Not Allowed In the Image Center
Dark Pixel			White board	Not Allowed In the Image Center	
Blurry			The Naked Eye	Not Allowed	
No Image			The Naked Eye	Not Allowed	
Vertical Line			The Naked Eye	Not Allowed	
Horizontal Line			The Naked Eye	Not Allowed	
Light Leakage			The Naked Eye	Not Allowed	
Blinking Image			The Naked Eye	Not Allowed	
Bruise			Inspection Jig	Not Allowed	
Resolution			Chart	Follows Outgoing Inspection Chart Standard	
Color			The Naked Eye	No Issue	
Noise			The Naked Eye	Not Allowed	
Corner Dark			The Naked Eye	Less Than 100px By 100px	
Color Resolution			The Naked Eye	No Issue	
Dimension	Height	The Naked Eye	Follows Approval Data Sheet		
	Width	The Naked Eye	Follows Approval Data Sheet		
	Length	The Naked Eye	Follows Approval Data Sheet		
	Overall	The Naked Eye	Follows Approval Data Sheet		

YDSCAM Package Solutions

YDS Camera Module



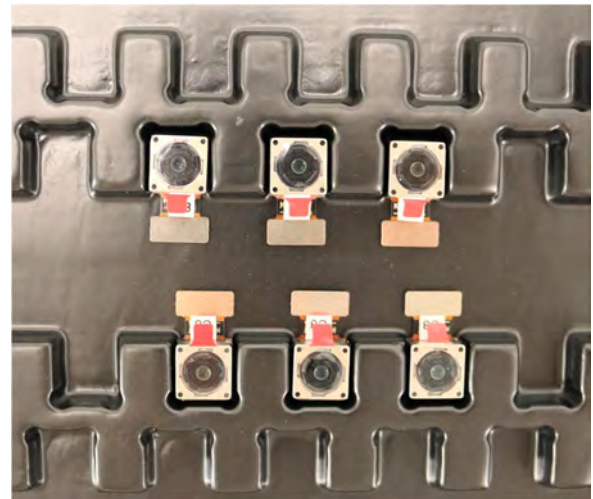
Complete with Lens Protection Film



Tray with Grid and Space

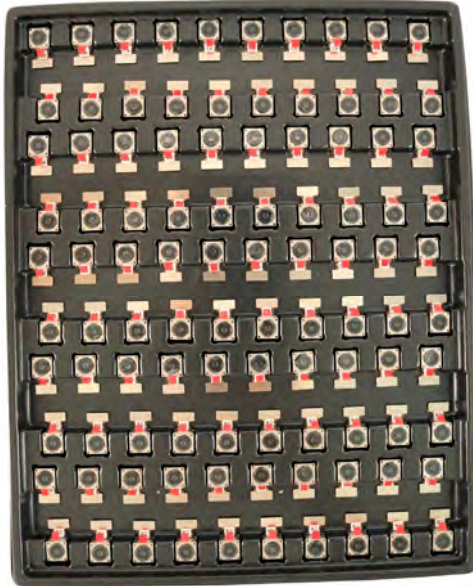


Place Cameras on the Tray

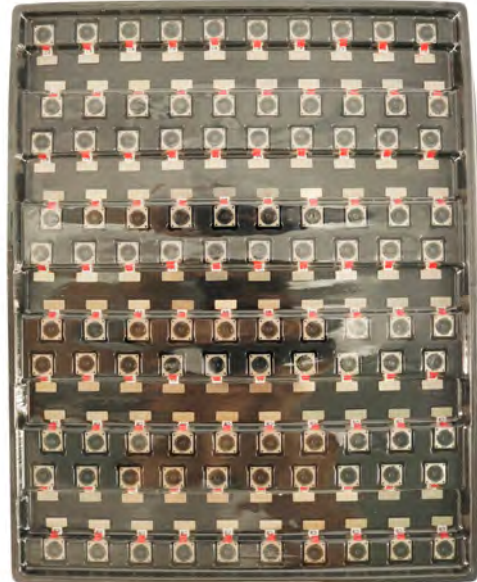


YDSCAM Package Solutions

Full Tray of Cameras



Cover Tray with Lid



Place Tray into Anti-Static Bag



Vacuum the Anti-Static Bag



YDSCAM Package Solutions

Sealed Vacuum Anti-Static Bag with Labels

1. Model and Description 2. Quantity 3. Manufacturing Date Code 4. Caution



YDSCAM Package Solutions

Place Foam Sheets Between Tray Bags



Foam Sheets are Larger Than Trays



Place Foam Sheets and Trays into Box



Foam Sheets are Tightly Fitting in Box



Seal the Carbon Box



Label the Carbon Shipping Box





YDSCAM Package Solutions

USB Camera Module

Complete with Lens Protection Film



Place Camera Sample into Anti-Static Bag

Place USB Cameras into Tray



Seal the Tray with Anti-Static Bag

Label the Carbon Shipping Box



YDSCAM Package Solutions

Place Camera Sample into Anti-Static Bag



Place Connectors into Anti-Static Bag



Label the Sample Bags



Place Connectors into Reel



Place Samples into the Carbon Box



Place Connectors into the Carbon Box





YDS CAMERA MODULE

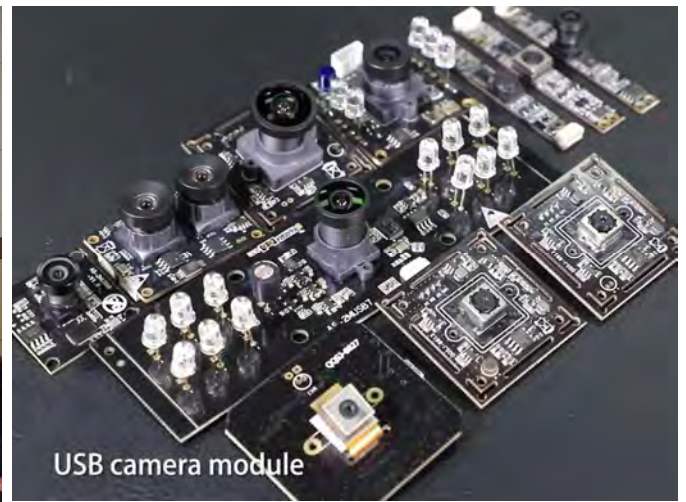
your best camera partner

Company YDSCAM

YingDeShun Co. Ltd. (YDS) was established in 2017, a next-generation technology driven manufacturer specialized in research, design, and produce of audio and video products. YDS is occupying 20,000 square feet automated plants with 100 employees of annual throughput 30,000,000 units cameras.

YDS provides OEM, ODM design, contract manufacturing, and builds the camera products. You may provide the requirements to us, even with a hand draft, our sales and engineering work together to meet your needs. We consider ourselves your last-term partner in developing practical and innovative solutions.

Our team covers everything from initial concept development to mass produced product. YDS specializes in customized camera design, raw material, electronic engineering, firmware/software development, product testing, and packing design. Our experienced strategic supply systems offer a robust and dependable manufacturing capacity for orders of various sizes.



Limited Warranty

YDS provides the following limited warranty if you purchased the Product(s) directly from YDS company or from YDS's website www.YDSCAM.com. Product(s) purchased from other sellers or sources are not covered by this Limited Warranty. YDS guarantees that the Product(s) will be free from defects in materials and workmanship under normal use for a period of one (1) year from the date you receive the product ("Warranty Period").

For all Product(s) that contain or develop material defects in materials or workmanship during the Warranty Period, YDS will, at its sole option, either: (i) repair the Product(s); (ii) replace the Product(s) with a new or refurbished Product(s) (replacement Product(s) being of identical model or functional equivalent); or (iii) provide you a refund of the price you paid for the Product(s).

This Limited Warranty of YDS is solely limited to repair and/or replacement on the terms set forth above. YDS is not reliable or responsible for any subsequent events.



www.YDSCAM.com sales@ydscam.com Phone (WeChat, QQ): (+86) 177 2732 6718

All rights reserved @ YingDeShun Co. Ltd. Specifications subject to change without notice.



YDS CAMERA MODULE

your best camera partner

YDS Strength

Powerful Factory



Professional Service



Promised Delivery



www.YDSCAM.com sales@ydscam.com Phone (WeChat, QQ): (+86) 177 2732 6718

All rights reserved @ YingDeShun Co. Ltd. Specifications subject to change without notice.